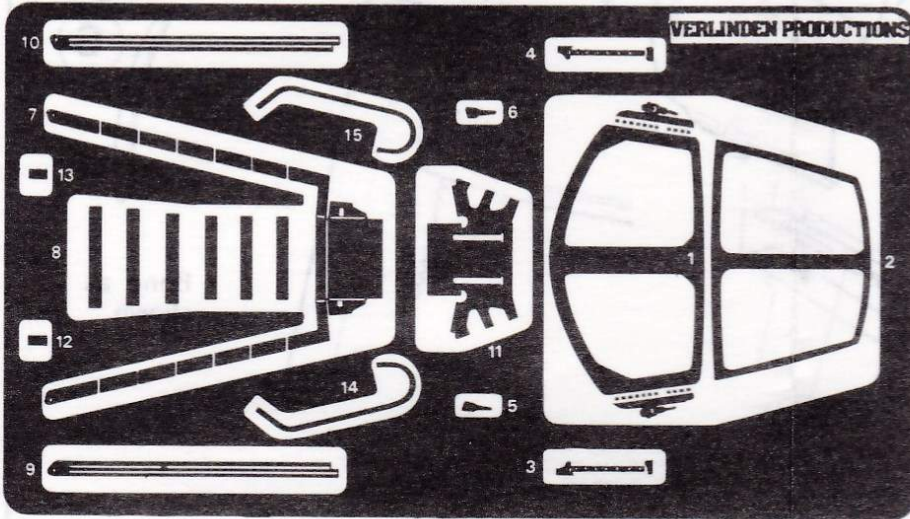
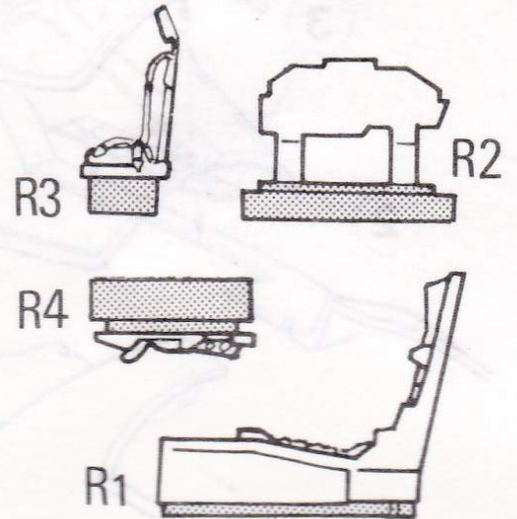


Photo-etched parts



Resin parts



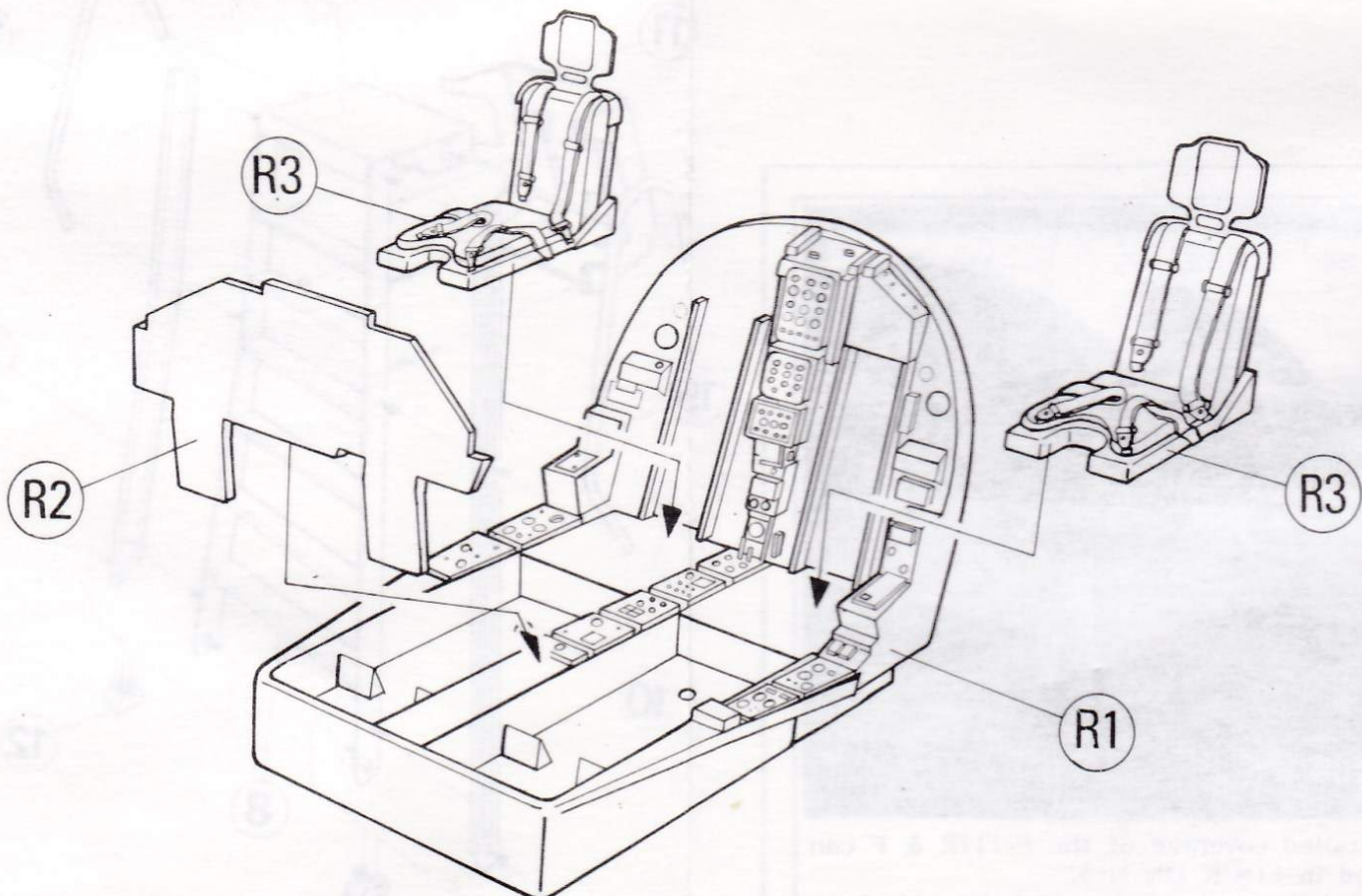
CAUTION

These photo-etched parts and resin casted accessories can only be glued using cyanoacrylate glues. Work in a well ventilated area and avoid inhaling the fumes for they can be harmful.

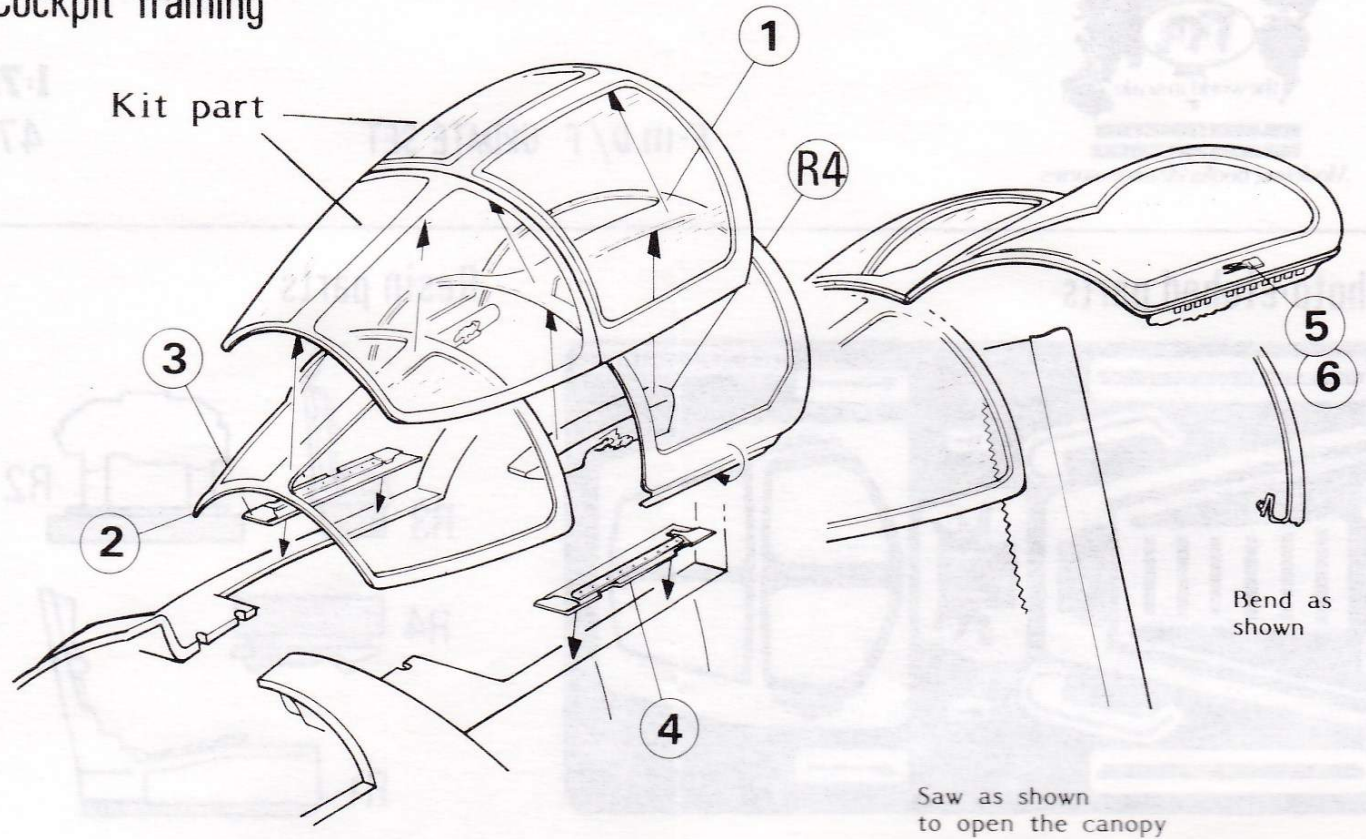
Remove the shaded areas

Recommended kit: Hasegawa F-111 D/F 1/72

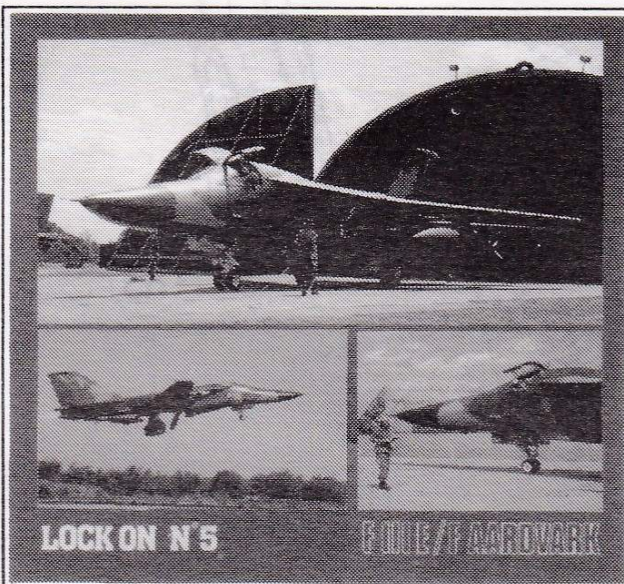
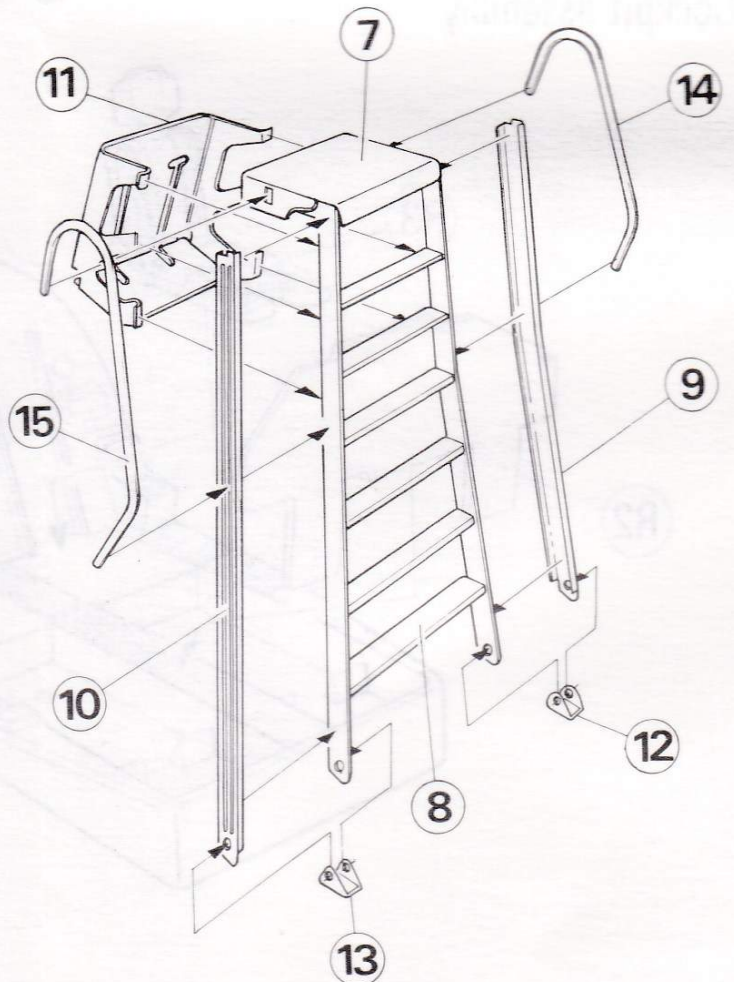
Cockpit assembly



Cockpit framing



Boarding ladder



LOCK ON N°5

F-111E / F-111F

Full detailed coverage of the F-111E & F can be found in LOCK ON N°5.
 Over 90 full color pictures, including 11 shots of the cockpit area.
 Also included is an accurate scale plan on 1/72 Scale.
 On sale now ! Ask your hobby shop !